



## Sigma II

### Significant savings

The Sigma II system is based on a classic half-timbered construction and impresses with its cost advantages in terms of material use and installation. The fully galvanized steel system impresses with its simple and functional design. Divided posts or ground screws ensure greater load-bearing capacity and stability in every conceivable type of soil.

### Structural Lifetime Warranty

A key feature of the Sigma II system is its long-term operation in each specific project environment, guaranteed by Mounting Systems. The combination of environmental conditions (wind, snow, seismic and corrosive) and technical requirements for safety and serviceability determine our design principles and are therefore a fundamental part of our quality approach.

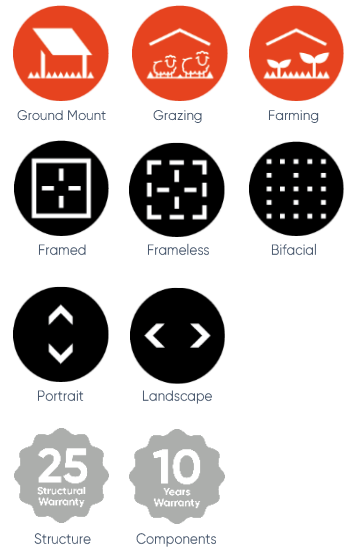
### Excellent flexibility

As a double post mounting system, the Sigma II is ideal for flexible module configurations. Depending on the project requirements, it can be mounted with various foundations such as driven posts, ground screws, base plates or in-cast concrete.

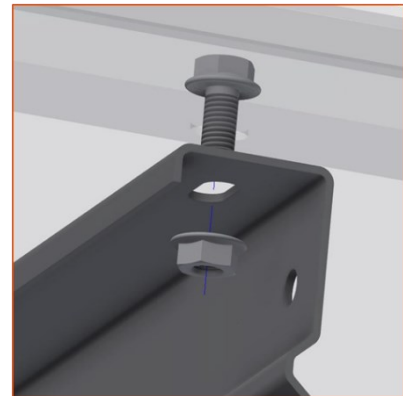
### Environmentally friendly

The system is developed and produced under certified sustainability standards. In addition, the components used are 100% recyclable.

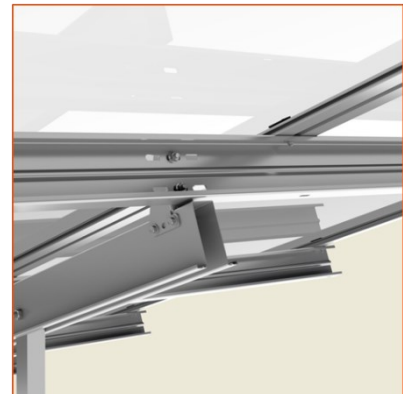
We are the first company to show the CO<sub>2</sub> footprint to produce our sub-structure for each project.



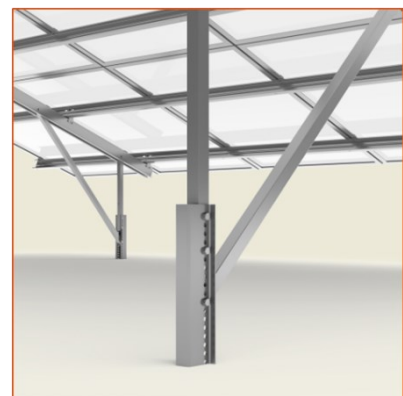
Application	Standard ground mount, AgriPV including grazing
Module types	Framed modules, Dual-Glass-Modules Laminates
Module fastening	Always according to module installation manual Clamps
Table layouts	vertical/portrait, horizontal/landscape table length subject to local temperature range (thermal expansion)
Module inclination	According to project requirements up to 45°
Ground clearance	According to project or application requirements Standard 0.8 m
Tolerances	adjustable height +/- 0.25 m adjustable alignment front/rear post +/- 0.1 m
Ground slope	Up to 10° along table Up to 30° across table
Design Standards	EN 1090 Eurocode 0 - basics Eurocode 1 – actions on structures Eurocode 3 – steel construction EN 1461, EN 10346 DIN 50929-3
Specials	Integrated DC-cable trenches Divided post for better machine handling and pile driving accuracy
Material	HDG post ZM post ZM rails and struts Stainless steel bolts (V2A/V4A) Geomet coated steel parts Al parts (EN AW 6063 T66)
CO <sub>2</sub> - footprint	Provided for every project
Warranty	25-50 years structural warranty 10 years component warranty



Module fastening including grounding



Cable trenching



Adjustable structural design