



mounting
systems



FD3-S Premium Line

Application	Flat roofs
Roofing	For all roof coverings
Roof inclination	Up to 5°
Building height	Max. 30 m (depending on wind loads on site, higher buildings on request)
Module inclination	10° or 15°
Module width	10°: 990 mm - 1134 mm 15°: 950 mm - 1134 mm
Module length	Up to 2144 mm
Support	Zamac
Supporting profiles	Aluminium (EN AW 6063 T66)
Sheet metal components	Galvanised steel (DX51A+Z275/Magnelis® ZM250)
Small parts	Stainless steel (V2A)
Color	Zinc, Aluminium
Warranty	10 years



Flat Roof



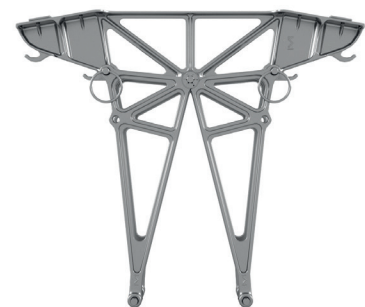
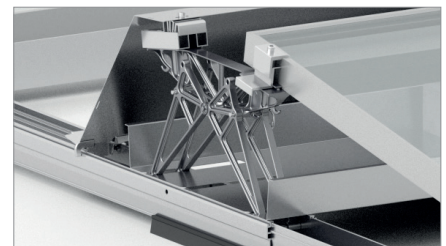
South
Orientation



Framed
Module



Orientation
Landscape



Middle support 10-15°
for south orientation

