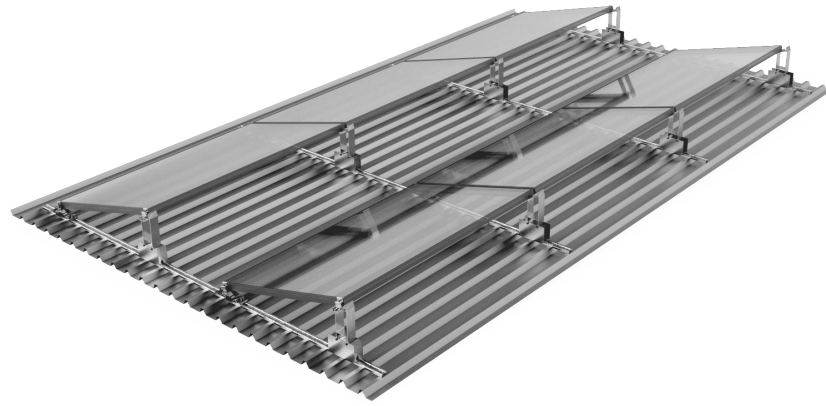




mounting
systems



Trapeze-S ProLine

Application	Pitched roof
Roof cladding	Trapezoidal sheet metal
Min. sheet thickness	Steel: 0.4 mm Aluminium: 0.4 mm
Min. bead height	From 20 mm
Roof slope	Up to 20°
Building height	Up to 20 m
PV-Modules	Framed, frameless
Module width	900 - 1052 mm
Module length	Up to 1675 mm (longer modules on request)
Module orientation	Landscape
Module inclination	10° or 15°
Standards	Eurocode 1 – Action on structures Eurocode 9 – Design of aluminium structures
Supporting profiles	Extruded aluminium profiles (EN AW 6063 T66)
Small parts	Stainless steel (V2A)
Colour	Aluminium: plate finish
Warranty	10 years



On-roof



Framed module



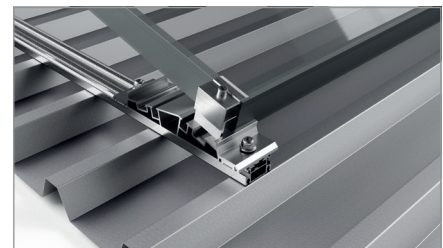
Frameless module



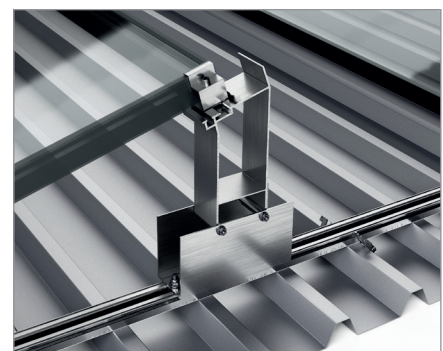
Orientation landscape



Trapezoidal sheet



Rail with front support



Detail back support

