



mounting systems



Ramp System ProLine

Application	Ground mount and flat roofs
Height of Building	Depends on wind loads on site
PV modules	Framed and frameless
Module layout	Rows up to approx. 12m per frame unit
Module orientation	Portrait and landscape
Pitch	15°
Supporting profiles	Extruded aluminium (ENAW 6063 T66)
Small parts	Stainless steel (V2A), Extruded aluminium (ENAW 6063 T66)
Colour	Aluminium: plate finish
Warranty	10 years

Configuration

2x Portrait 3x Portrait 3x Landscape 4x Landscape



Ground mount



Flat roof



Framed Module



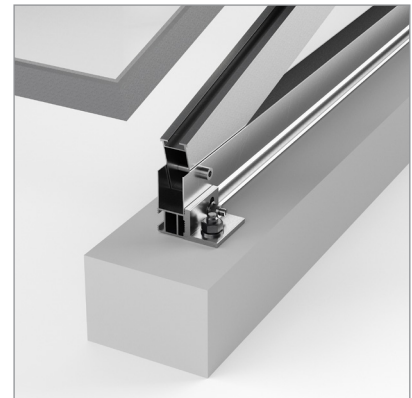
Frameless Module



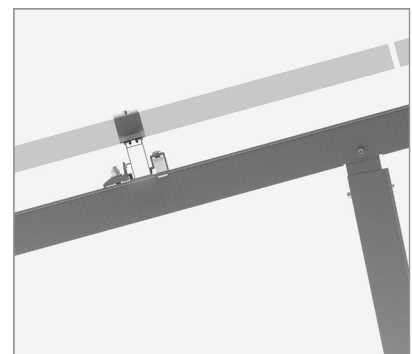
Orientation portrait



Orientation landscape



Adapter for dowels



Side view (cross rail options)