



2-Post Steel

Flexible Standard

Tables can be designed differently through defined configurations, however by a flexible number of modules. The 2-Post Steel, combines the price of the steel outdoor system with material availability.

Proven New

The system is distinguished by an easy, functional design. The proven Clickstone-technology is used for the module fastening. Depending on the requirements, either posts or foot plates will be available.

Two Post

When it comes to the 2-Post Steel, a higher structural stability is ensured even when soil or load conditions are difficult. By means of foot plates and fixed anchors it is easy to can be mounted. Also lateral inclinations (in east-west direction) up to $\pm 10^\circ$ can be realized with 2 additional components.

High Availability

In order to implement small ground-mounting projects, we have a permanent stock of these components with a delivery time of a few days.

Maximum Service Life

Durability is a substantial feature for the 2-Post Steel. The selected materials provide effective and long-term protection. They guarantee high corrosion resistance for maximum service life.



Open Terrain



Framed Module





Orientation
Portrait



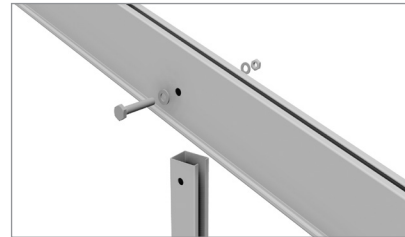
Orientation
Landscape



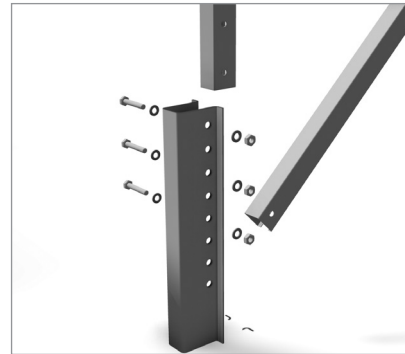
Operation Area	Ground mount
PV-Modules	Framed
Module Arrangement	Up to 20 m per rack unit
Module Orientation *	Portrait, 2 modules on top of each other Landscape, 4 modules on top of each other
Work Angle	20° or 25°
Minimum Module Elevation to the ground	70-80 cm ¹
Max. ground inclination	Up to 10° in east-west direction
Distance of the mounting in an east-west direction	After static calculation
Standards	Eurocode 1 – Actions on structures Eurocode 9 – Design of aluminium structures
Setting Options	Cap profile, Foot plates with fix anchors
Frame Profiles	Stahl (S355/S350 GD)
Small Parts	Stahl galvanized, Stainless steel, Geomet-coated steel, Extruded aluminum (EN AW 6063 T66)
Foundation	Low-resistance contact resistances between rack components without additional parts accessible
Warranty	10 years ²

Configuration	Module	Foundation	Clamping
2-Post STEEL 2 portrait	Framed modules	Cap profile, Foot plates	Clickstones 
2-Post STEEL 4 landscape			Clickstones 

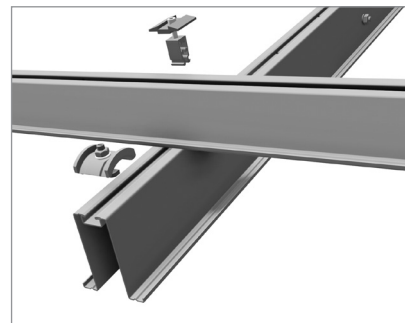
* Other arrangements available on request.



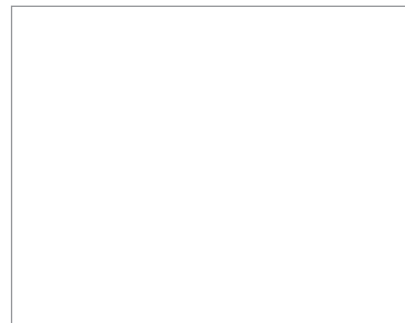
Connection detail support - rafter



Connection detail post



Connection detail module support



Whipstone

2-Post-Steel-TD-EN-2001

1 Dependent on System, Inclination and Fixation to the Ground. For more details see technical system designs.
2 Please find the exact terms in the Mounting Systems GmbH warranty document.