



Sigma IIST

Significant savings

Sigma IIST combines the installation advantages of our well-known mounting System Sigma II with the cost advantages of steel components. The galvanized mounting system stands out due to its simple, functional design. By using the proven Clickstone-technology, installation efforts are significantly reduced. Cap profile posts contribute to a higher load-bearing capacity and stability while reducing material requirements.

Maximum service life

A fundamental feature of the Sigma IIST is its long service life. The special coating provides effective and long-term protection. It therefore provides a significantly higher corrosion resistance is guaranteed, providing a maximum life span for the system.

Excellent flexibility

As a dual post mounting system, the Sigma IIST is perfectly suited for flexible module configurations. Depending on the project requirements, it can be installed using various foundations such as, ramming posts, earth screws or foot plates for concrete. An adjustable connection between the rafter and module rail enables installation on terrains with East/West slopes.

Ecologically Friendly

The system is developed and produced under certified sustainability standards. In addition, the components are recycable and easily disassembled.



Ground mount



Framed module



Frameless module



Orientation portrait



Orientation landscape

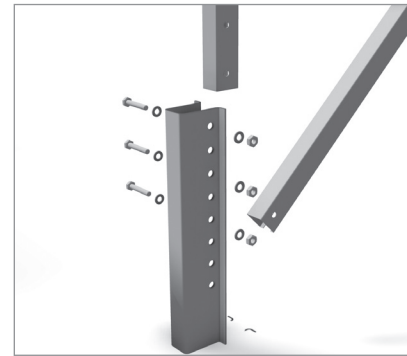


Application	Ground mount
PV modules	Framed, frameless, bifacial
Module layout	Multiple configurations, max. table length 40 m
Module orientation	Portrait, landscape
Module inclination	According to project requirements
Ground clearance	Various
Ground slope	Up to 10° East/West (Option 1)
Sigma post spacing	According to static calculation
Standards	Eurocode 1 – Actions on structures Eurocode 3 – Measurement and construction for steel construction
Supporting profiles	Steel (S 355 / S350 GD)
Ramming posts	Cap profile posts
Small parts	Geomet-coated steel, hot-dip galvanized steel, Stainless steel (project specific V2A/V4A) Extruded aluminium (EN AW 6063 T66)
Bonding	Low-impedance resistance connections between the components
Warranty	10 years ¹

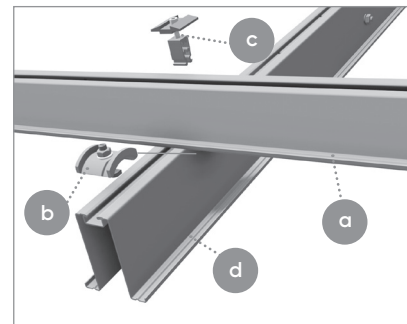
Configuration	Modules	Foundation	Module fastening
Sigma II ST 2-4 portrait	Framed, frameless and bifacial modules	Suitable for all types	clamps, screws, rivets
Sigma II ST 3-8 landscape			clamps, screws



Connection detail leg - rafter

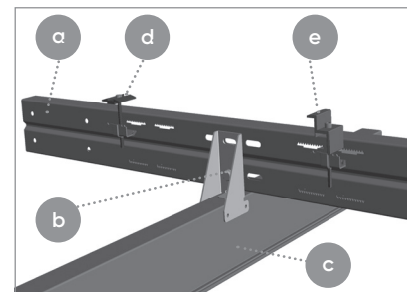


Connection detail post



Sigma IIST - Option 1

- a Module support rail
- b Module support clamp
- c Module clamp with Clickstone
- d Rafter



Sigma IIST - Option 2

- a Module support rail
- b Cross rail
- c Rafter
- d Module clamp
- e Module end clamp

Sigma-II-ST-TD-EN-1904

For further information: www.mounting-systems.com
Subject to change without notice.
2019 © Mounting Systems GmbH

¹ For terms and conditions please refer to the Mounting Systems GmbH warranty.