

Trifix BaseLine

Flexible modular system

The flat-roof system Trifix BaseLine is designed to easily fit a multitude of different flat roof applications, due to its variable tilt angle and its several foot options for both ballasted solutions and roof penetration. Modules can be installed in portrait or landscape orientation up to a unit length of approx. 12 m.

Special requirements do not present a problem for this system. All components are pre-assembled according to the type of module and configuration of the module field.

Time-efficiency during installation

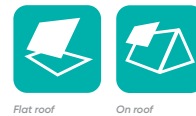
Outer click mechanism, clever design and extensive preassembly all add up to minimal installation time with very few tools.

High security

Mounting Systems' services include structural verification of all Trifix BaseLine configurations offered. Professional structural verification is available in our online planning tool.

Maximum service life

All components are made of either aluminium or stainless steel. The high resistance to corrosion guarantees a maximum life span. In addition, all parts can be recycled.



Flat roof

On roof

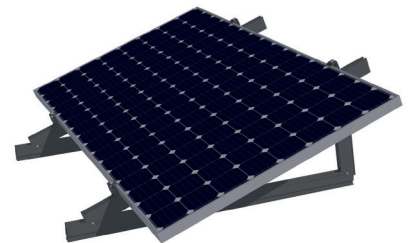


Framed module

Frameless module

Orientation portrait

Orientation landscape



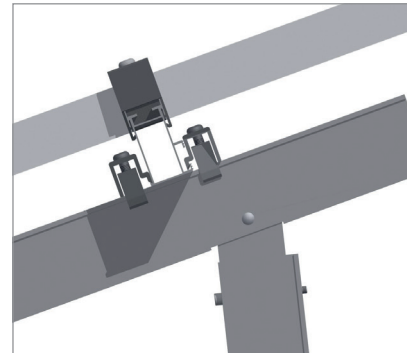


mounting
systems

Application	Flat roofs ¹ , ground or pitched roofs ¹
Height of Building	Depends on wind loads on site
PV modules	Framed, frameless
Module layout	Serial (up to approx. 12 m per frame unit)
Module orientation	Portrait, Landscape
Pitch	10°-15°, 20°-30°, 35°-45° (other upon request)
Size of module array	Any size possible
Position of the module array	No special requirements
Roof clearance	8 to 10 cm (other upon request)
Standards	Eurocode 1 – Actions on structures Eurocode 9 – Design of aluminium structures ²
Supporting profiles	Extruded aluminium (ENAW 6063 T66)
Small parts	Stainless steel (V2A)
Colour	Colour Aluminium: plate finish
Warranty	10 years ³



Adapter for hanger bolts



Side view construction

1 Attention: For any project, please check the static suitability of the building!
2 Official assesible static calculation available upon request, at extra cost.
3 Please find the exact terms in the Mounting Systems GmbH warranty document.