



mounting
systems



Trapeze-EW ProLine

A combination of our trapezoidal sheet system and our light-ballasted east-west system formed our new Trapeze-EW ProLine. Module inclinations of 10° or 15° create an even yield management during the day at a high capacity of the available roof area.

Our clickstone module clamp is used in this, as in almost all of our ProLine systems. This solution with standard components can be realized without additional components.

Protection of the roofing

The fixation of the module rails is made at the crossing points to the high beading. There is an integrated EPDM gum on the trapezoidal rail, which serves as a protection of the sheet. Furthermore, the advantage of a statically optimal connection laterally to the high beading is offered by this system. Consequently, the installation on different trapezoidal form¹ is possible.

Maximum Service Life

The used components are made of aluminium and stainless steel. The high corrosion resistance guarantees a maximum service life and offers the possibility of a complete recyclability.



On-roof



Framed module



Frameless module



Orientation landscape



Trapezoidal sheet

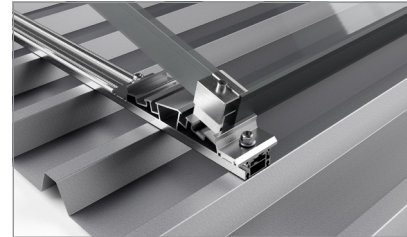


¹ The Trapeze-EW ProLine can be used on nearly all available trapezoidal coverings with a material thickness of at least 0.4 mm (Steel). Please contact us for more detailed information ahead of your planning.

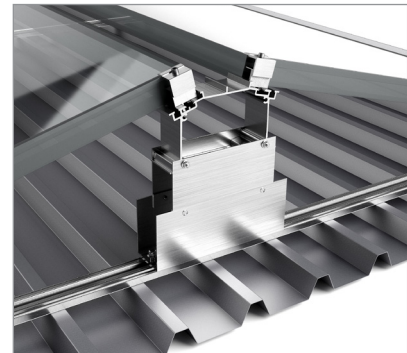


mounting
systems

Application	Pitched roof - on-roof
Roof cladding	Trapezoidal sheet metal ¹
Min. sheet thickness	Steel: 0.4 mm ² Aluminium: 0.8 mm
Min. bread height	From 20 mm
Roof slope	Up to 20° ²
Building height	Up to 20 m ²
PV-Modules	Framed, frameless
Module width	900 - 1050 mm
Module length	Up to 1675 mm (longer modules on request)
Module orientation	Landscape
Module inclination	10° or 15°
Size of module array	Any size possible ³
Possible height compensation	Up to 5 mm
Distance between rail fixations	Depending on load situation (automatic verification per design software)
Standards	Eurocode 1 – Action on structures Eurocode 9 – Design of aluminium structures
Supporting profiles	Extruded aluminium profiles (EN AW 6063 T66)
Small parts	Stainless steel (V2A)
Colour	Aluminium: plate finish
Warranty	10 years ⁴



Rail with front support



Detail back support

- 1 The screws which are provided for the system Trapeze-EW ProLine are suitable for mounting on trapezoidal sheet metal roofs made of steel or aluminum. In case of an installation on sandwich elements, the customer must clarify and ensure that the deployed sandwich element can withstand the fastening forces and loads resulting from the PV installation. Mounting Systems recommends the installation of the Trapeze-EW ProLine-system on single-layer trapezoidal sheet metal roofs. Mounting Systems cannot guarantee a sufficient long-term load capacity of the sandwich element after the installation of the Trapeze-EW ProLine-system.
- 2 Depending on the site situation, the building, the selected fixing devices and the type of module, other values may apply. With the Trapeze-EW ProLine-Design tool you can easily calculate the permissible maximum values for each plant.
- 3 Based on the expected thermal expansion due to temperature and the thus occurring tension within the rails, we recommend a maximum length of 12 m per module row.
- 4 Please find the exact terms in the Mounting Systems GmbH warranty document.

For further information: www.mounting-systems.com
Subject to technical changes.
2019© Mounting Systems GmbH